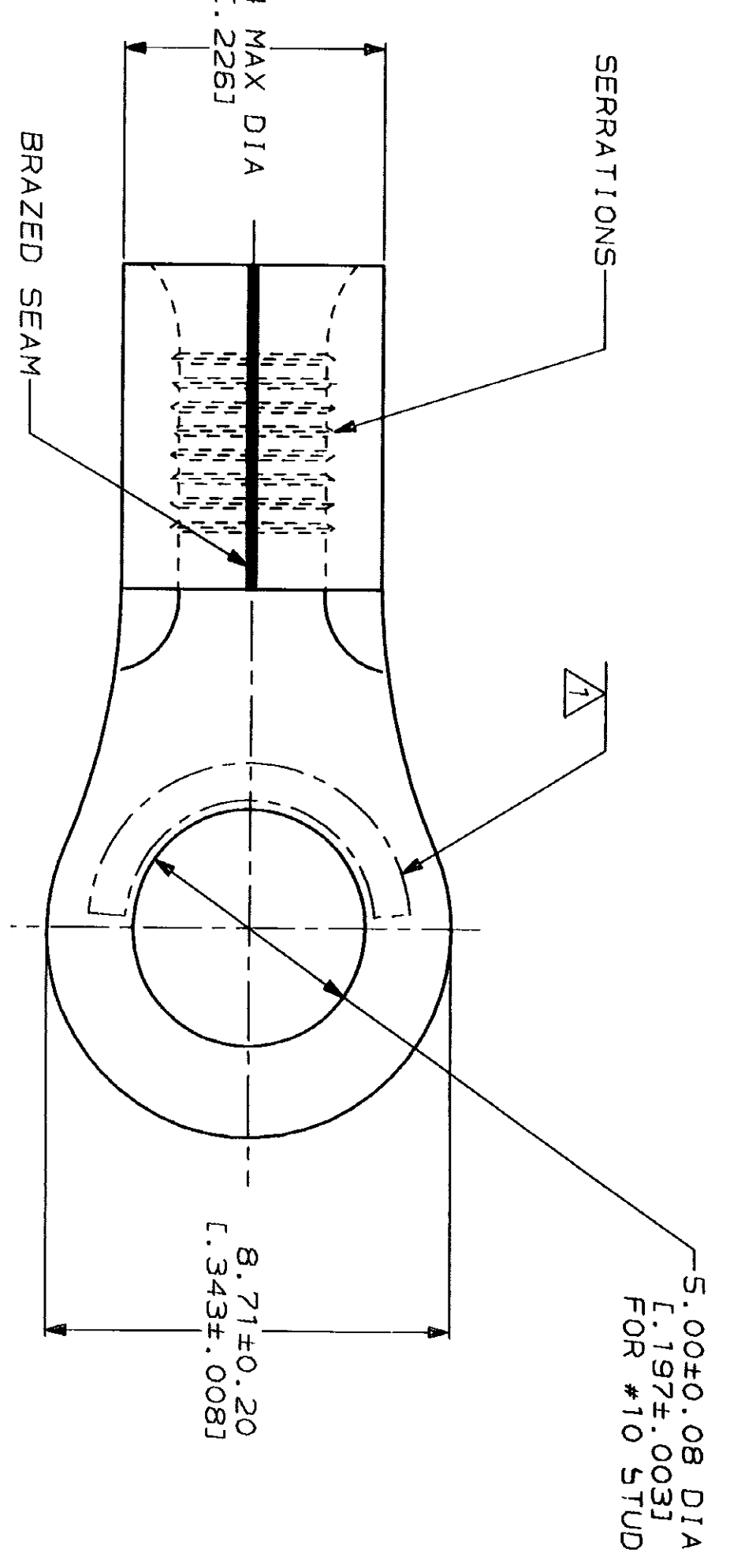
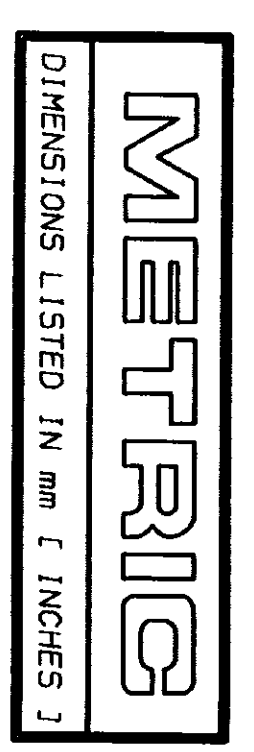
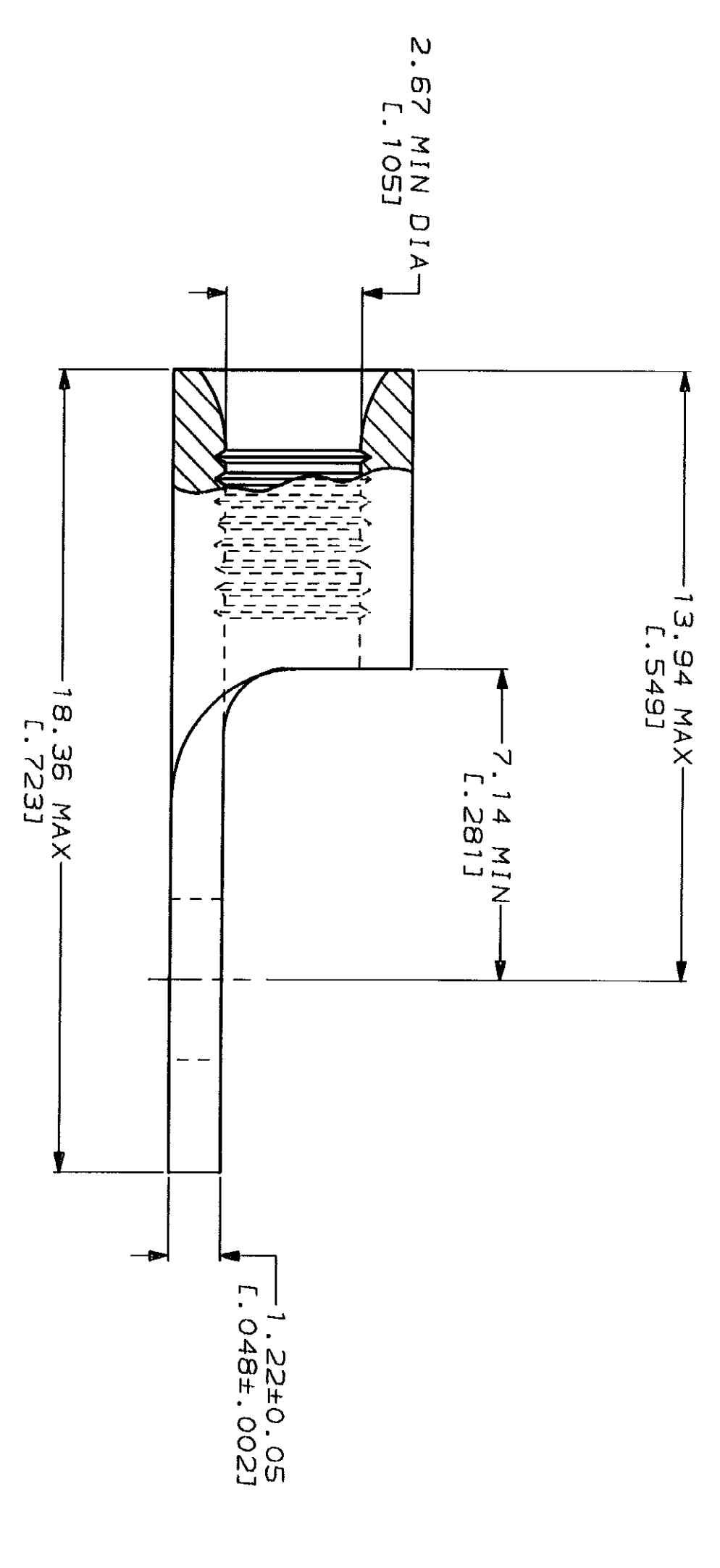


LOC	DIST	REV	ZONE	LTR	DESCRIPTION	DATE	APPD
G	14				REV. RDRW. & SM PKG PER 0720-0040-93	3-17-93	gk DAP



AMP WIRE RANGE	UL E13288 Listed
16-14HD AWG SOLID OR STRANDED	16-14HD AWG STRANDED
LR7189 Certified	MILITARY P/N AND CLASS
16-14HD AWG SOLID OR STRANDED	NOT APPLICABLE

1 STAMP AMP 16-14HD* APPROX AS SHOWN



AMP INCORPORATED
CUSTOMER SERVICE SYSTEMS

FOR ADDITIONAL PRODUCT INFORMATION OR COPIES OF DRAWINGS AND TECHNICAL DOCUMENTS	PRODUCT INFORMATION CENTER 1-800-522-6752
FOR APPLICATION TOOLING INFORMATION	TOOLING ASSISTANCE CENTER 1-800-722-1111
FOR ORDER ENTRY	1-800-526-5142

MAX RECOMMENDED OPERATING TEMPERATURE:	170°C MAX
VOLTAGE RATING:	NOT APPLICABLE
WIRE CROSS SECTIONAL AREA RANGE: SOLID OR STRANDED	1.04-2.62mm ² [2.050-5.180] CIR MILS

DO NOT SCALE PRINT. UNLESS SPECIFIED DIMENSIONS IN mm [INCHES] TOLERANCES ON: 2 PLG DEC ± 3 PLG DEC ± ANGLES	FINISH TIN PLATE 0.00254 [1.000100] MIN THK PER MIL-T-10727
--	--

DR 3-17-93 GL KRUBER
CHK 3-17-93 DA PATTERSON
APPD 3-17-93 DE MILLER
APPD 3-17-93 JL MECKLEY
PRODUCT SPEC
APPLICATION SPEC
WEIGHT

NAME	AMP AMP Incorporated Harrisburg, PA 17105-3608
------	---

100	LOOSE PIECE, BOX	8-34567-1
2500	ON TAPE	2-34567-1
---	LOOSE PIECE	34567
QUANTITY	PACKAGING TYPE	PART NO

TERMINAL, RING TONGUE,
 HEAVY DUTY, SOLISTRAND™

SIZE	CAGE CODE	DRAWING NO
SCALE	00779	G-34567
SCALE	8:1	SHEET